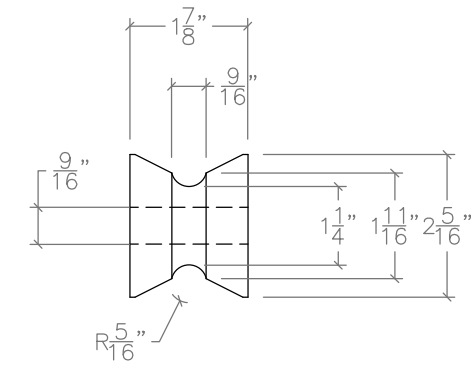
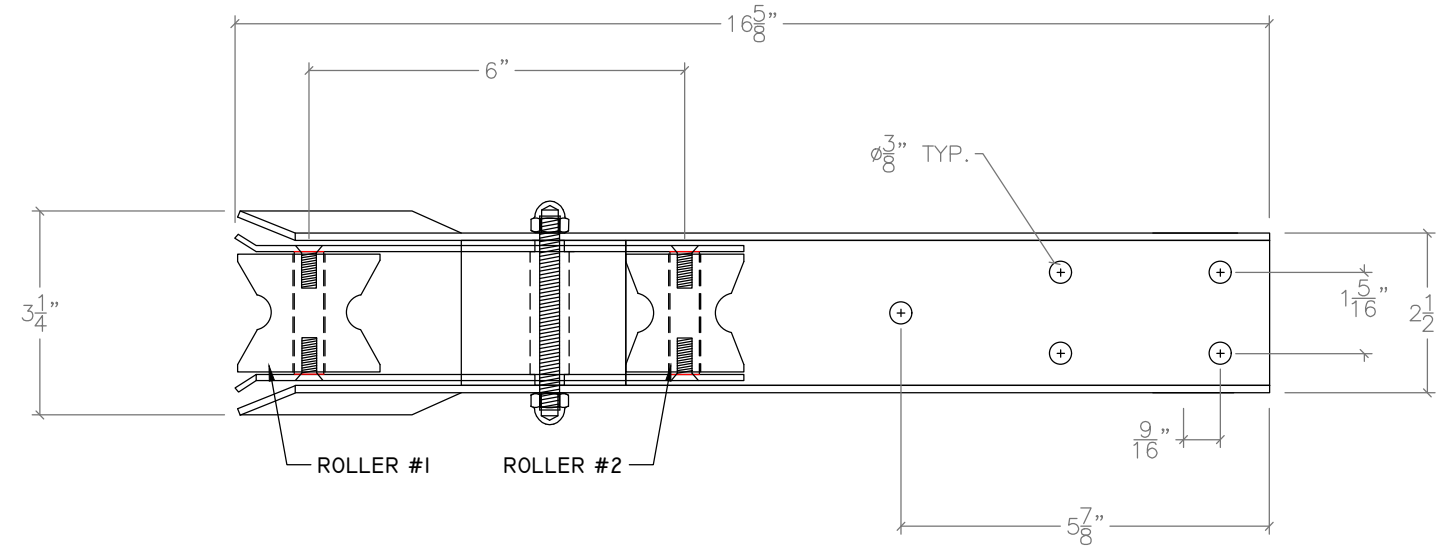
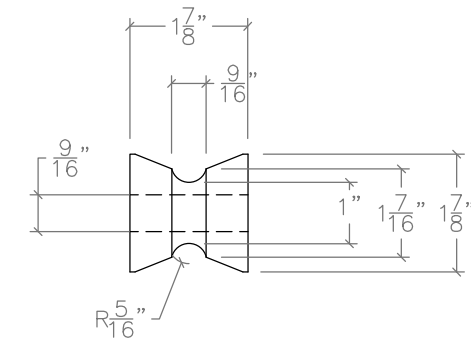


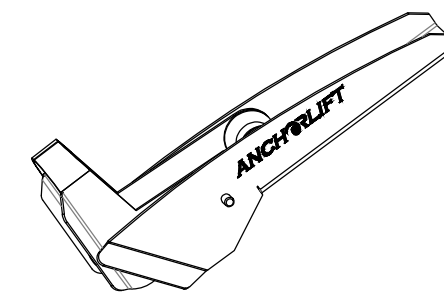
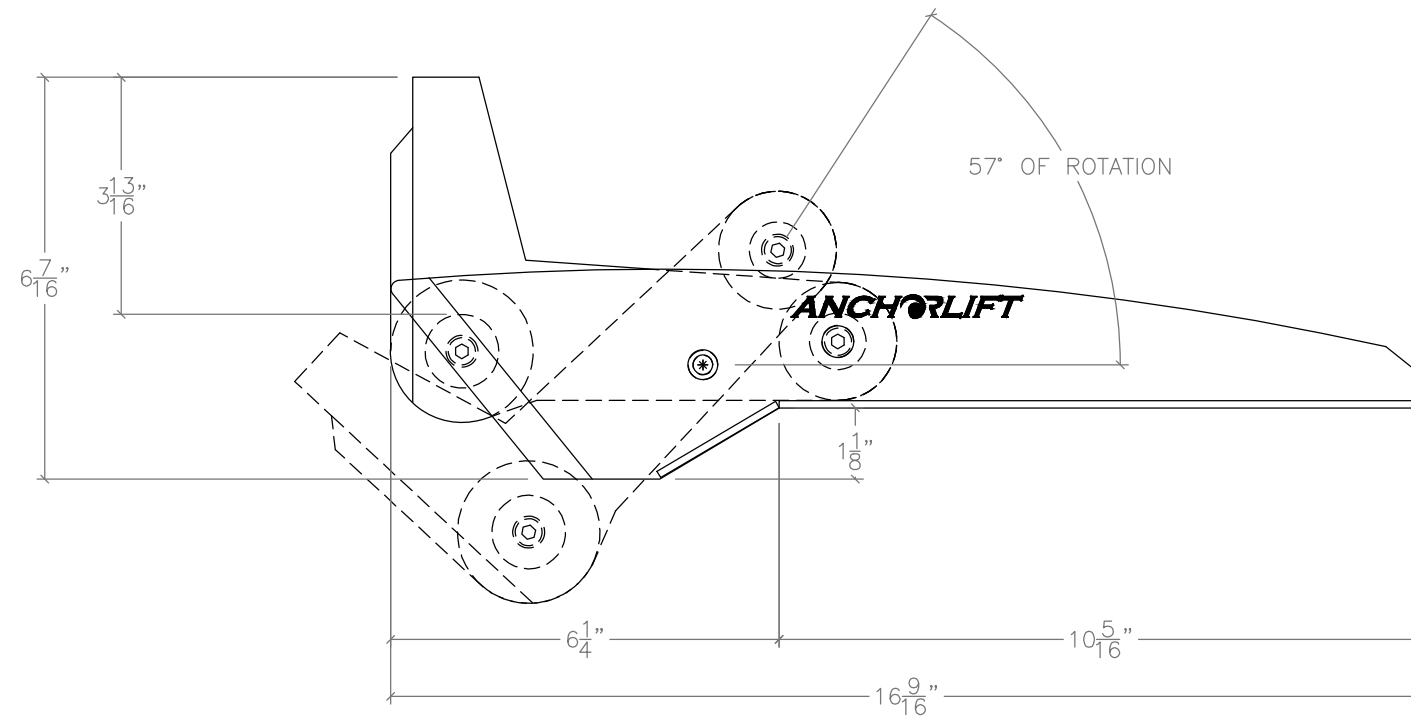
# 90101 BOW ROLLER



**ROLLER #1**



**ROLLER #2**



NOTE: ALL DIMENSIONS ARE IN INCHES



SIZE <b>B</b>	PROJECT: 90101 ADDRESS	DRAWN BY: JDN		DWG DATE 07/20/2020
PROJECT MANAGER:		SCALE: N.T.S.	SHEET 1 OF 1	